

M6 x 45mm Taptite Machine Screw

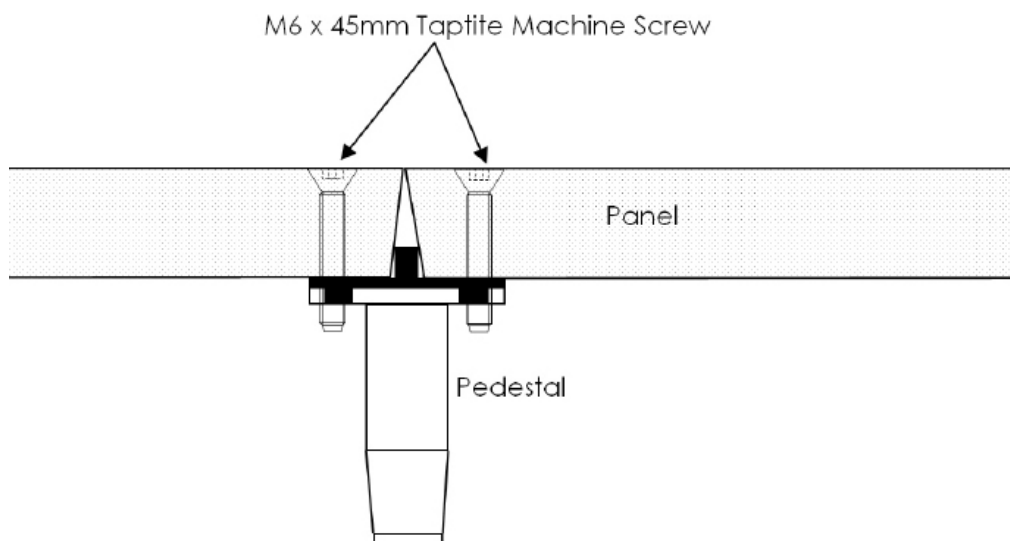
For all Screw Down Panels Manufactured by Permaflor

A Self tapping machine screw designed for cutting its own thread in a pre drilled hole in the pedestal head.

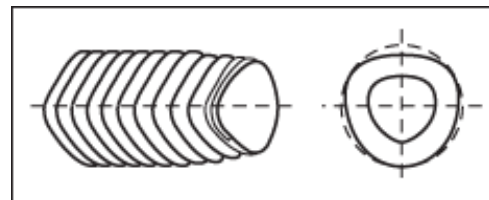
The M6 x 45mm Taptite TRILOB (BZP Bright Zinc Plated) Machine Screw are a robust design and have a large countersunk head for good grip on the Raised Floor Panel.

They have a standard Pozi drive head design for ease of installation and removal when required.

The Permaflor panels require 4 of these screws per panel.



The Taptite TRILOB machine screw has a triangulated and tapered end on the screw thread so when screwed into the hole will self tap its own thread through the hole predrilled in the pedestal head.



Permaflor is the manufacturing division of Bathgate Flooring

01432 353 003

sales@bathgateflooring.co.uk

bathgateflooring.co.uk

Bathgate Flooring Units 6 E,F & G Thorn Business Park Rotherwas Hereford HR2 6JT