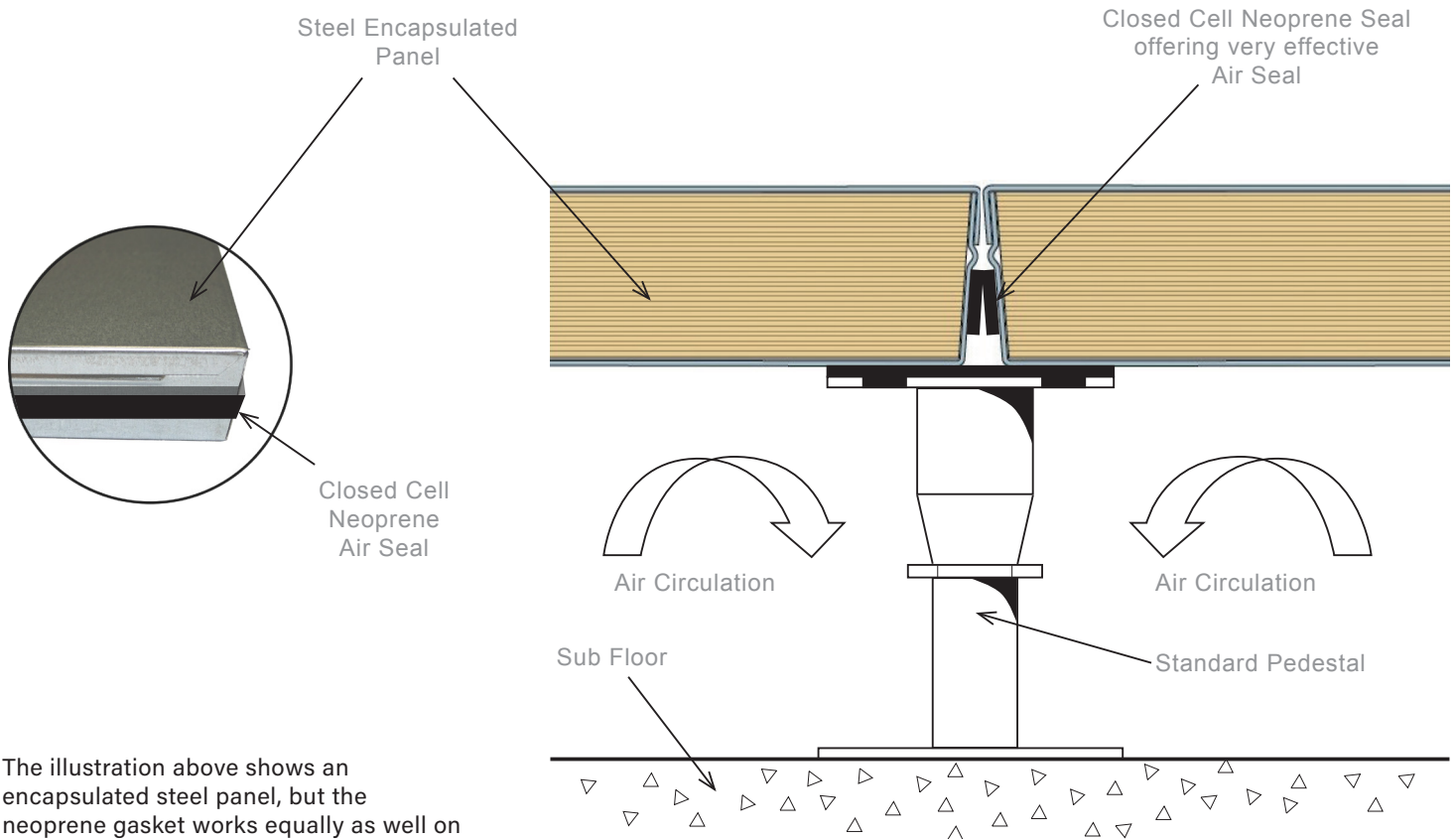


## Permaflor Steel Encapsulated Panel with Air Seal Gasket

### Air Seal Solution for Plenum Floor

The Air Seal gasket can be applied to any Steel Encapsulated or Edge Banded Permaflor Panel where the Void or Plenum of the floor is going to be used as a vehicle to transport air. As the Permaflor Panels are extremely dimensionally accurate, when the panels are laid, the Closed Cell Neoprene gasket has an interference fit and seals the void stopping unwanted leaks through the joints.

Pressure, Pa	Air Leakage Rate of Field Floor, l/s.m <sup>2</sup>		
	Medium Grade 31mm Thick Panel Full Steel Encapsulated Chipboard Core		
	Without carpet	With loose lay off grid carpet	With Permaflor air seal no carpet
15	0.68	0.68	N/A
25	1.16	1.07	N/A
40	1.47	1.41	N/A
50	1.83	1.68	0.41
75	2.46	2.32	N/A
Test Area m <sup>2</sup>	29.16	28.8	36



The illustration above shows an encapsulated steel panel, but the neoprene gasket works equally as well on edge banded panels.



Supply & Install

01432 347 700

info@bathgateflooring.co.uk

Supply Only

01432 347 722

supplyonly@bathgateflooring.co.uk

Bathgate Flooring Unit 6G Thorn Business Park Hereford HR2 6JT

bathgateflooring.co.uk